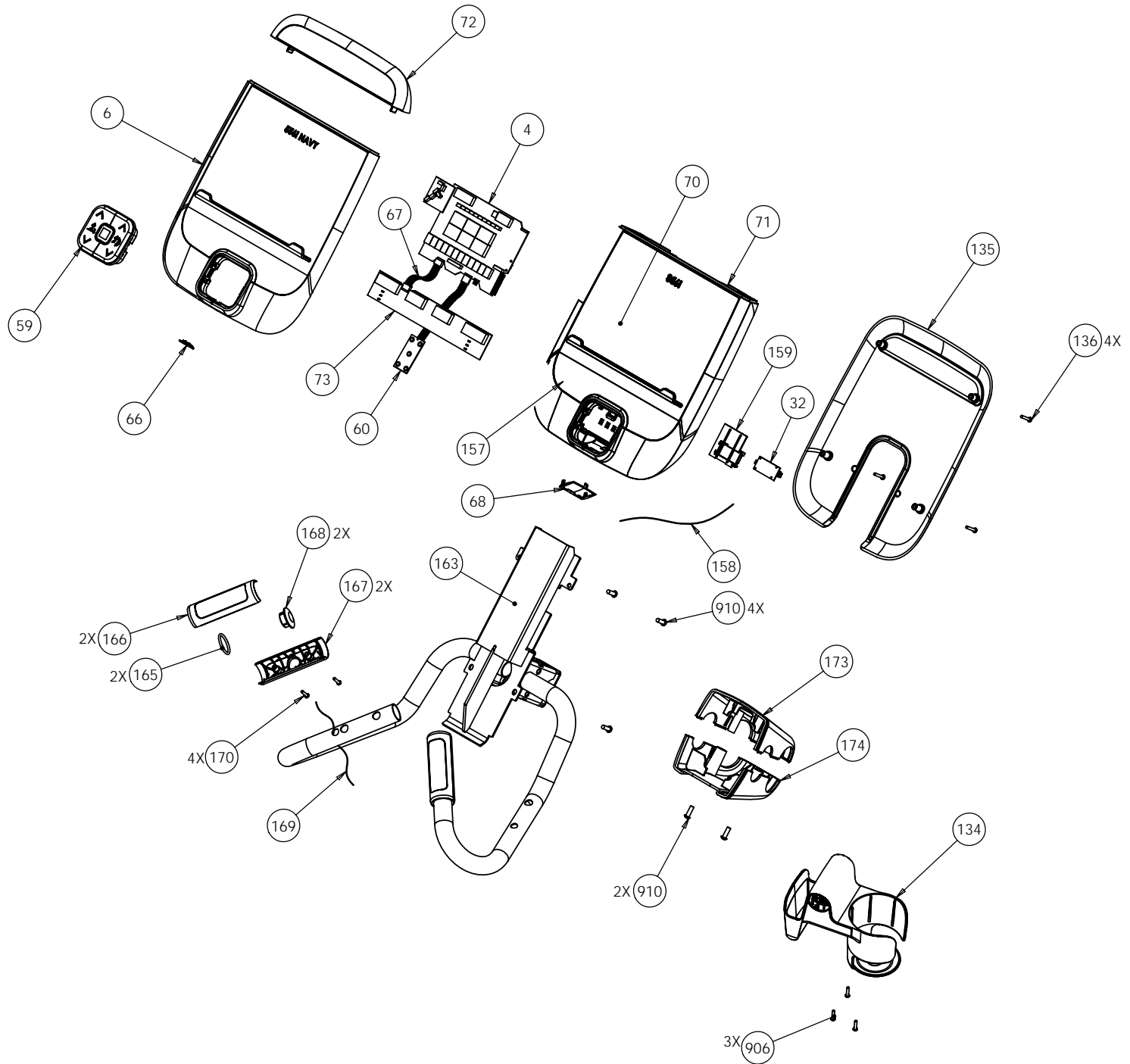
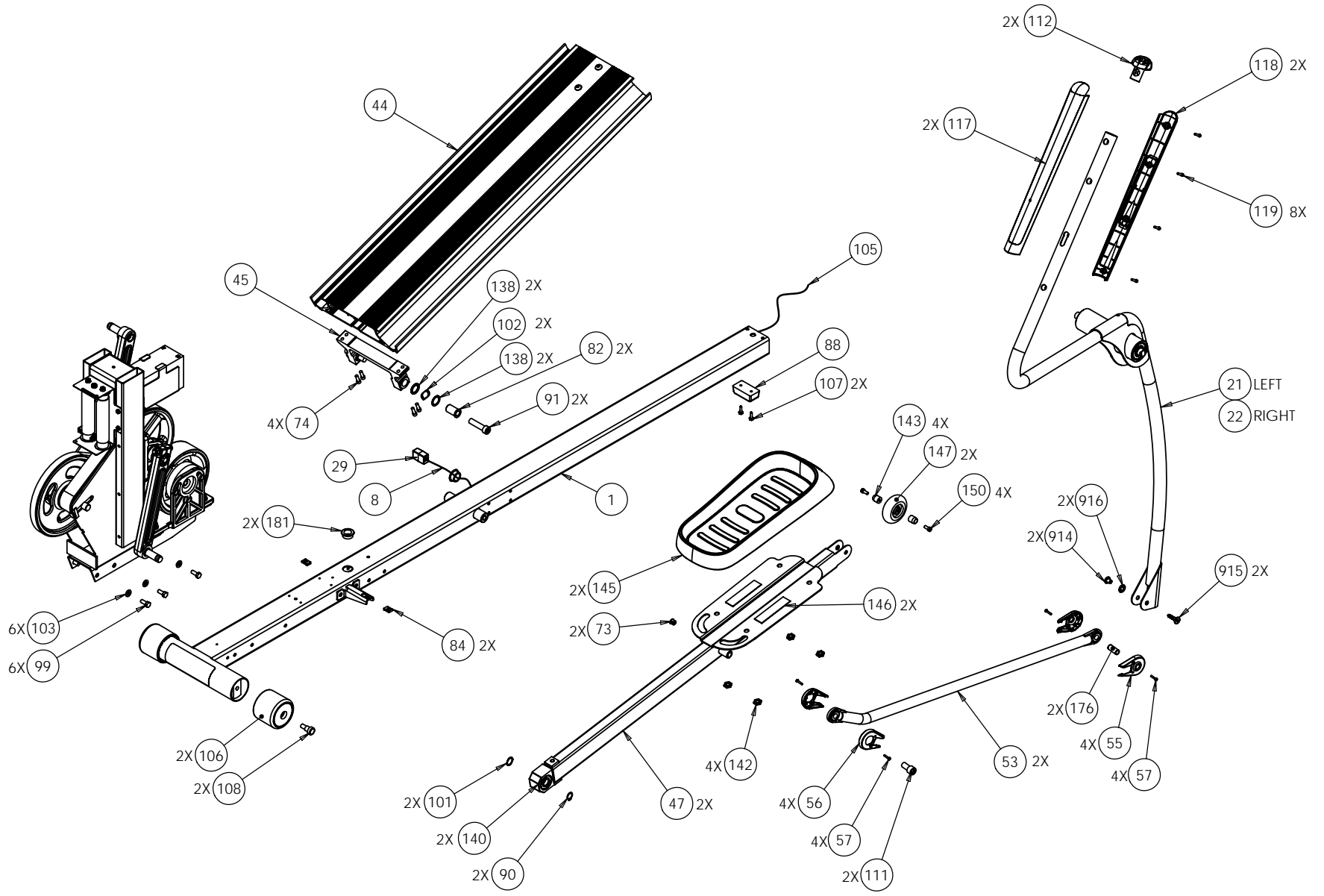
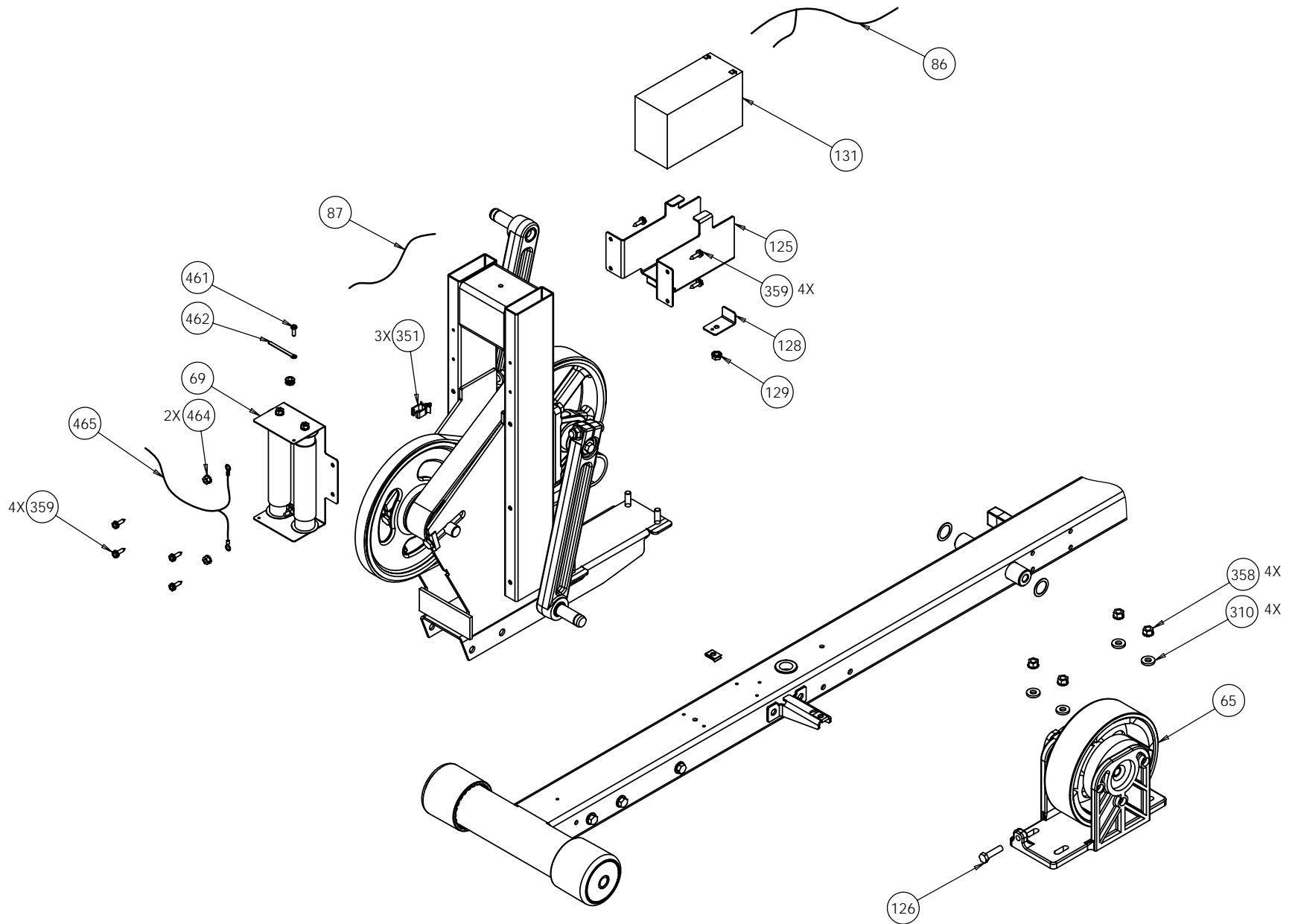
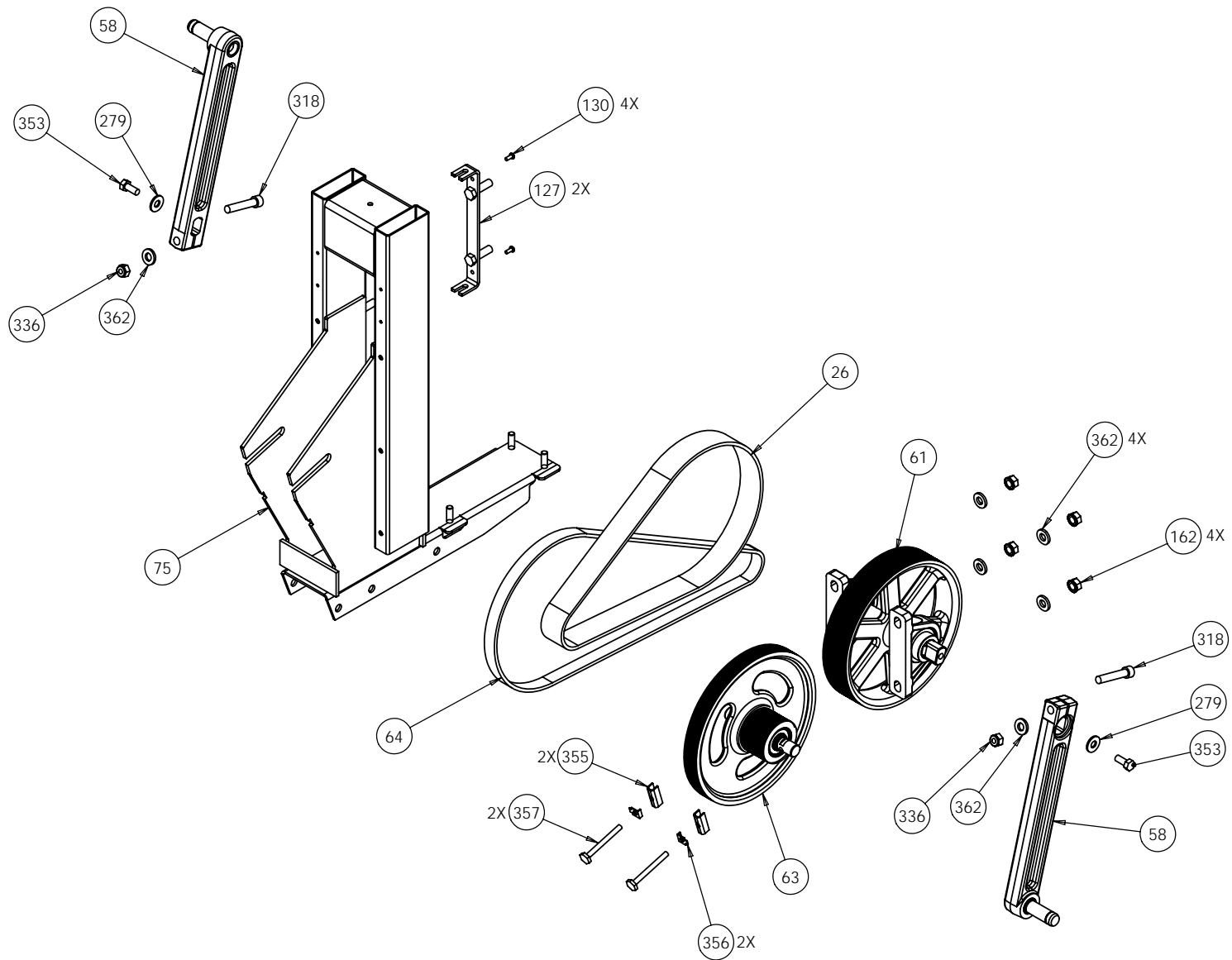


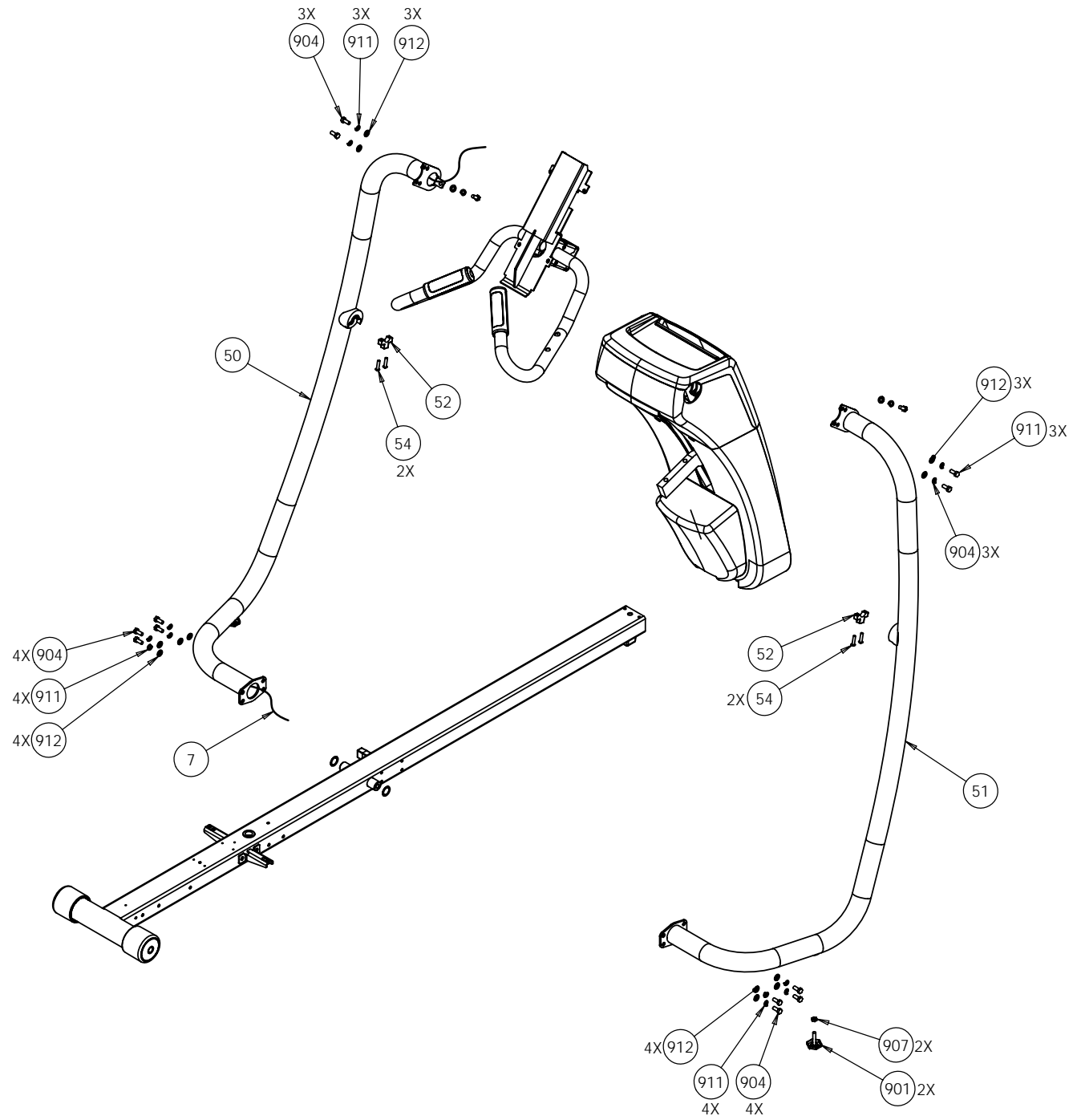
C556I NAVY	P/N : 35442-101	SUBREV : E
DRAWN BY : C THOMSON	DATE : 07.16.08	SHEET 1 OF 8

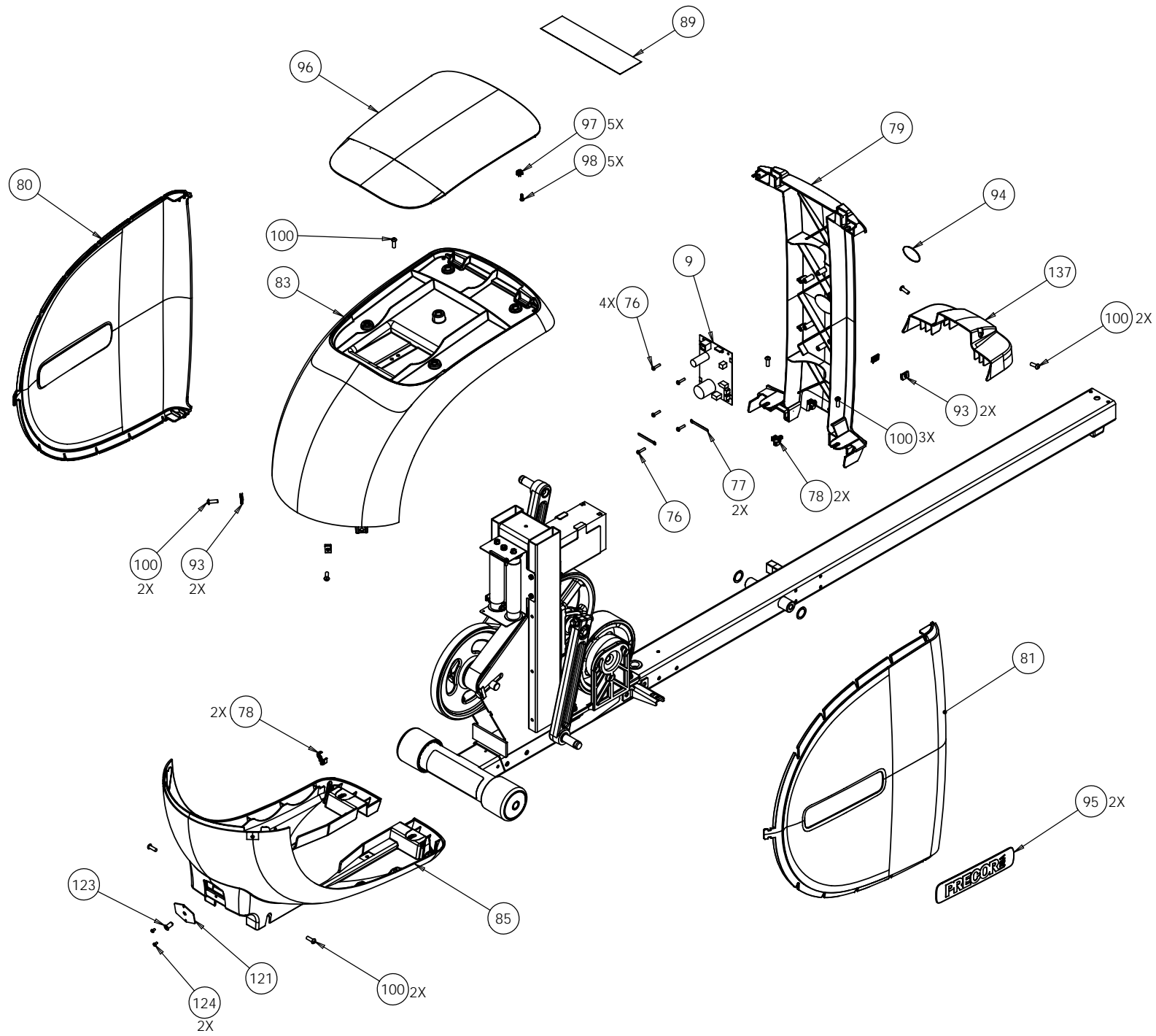


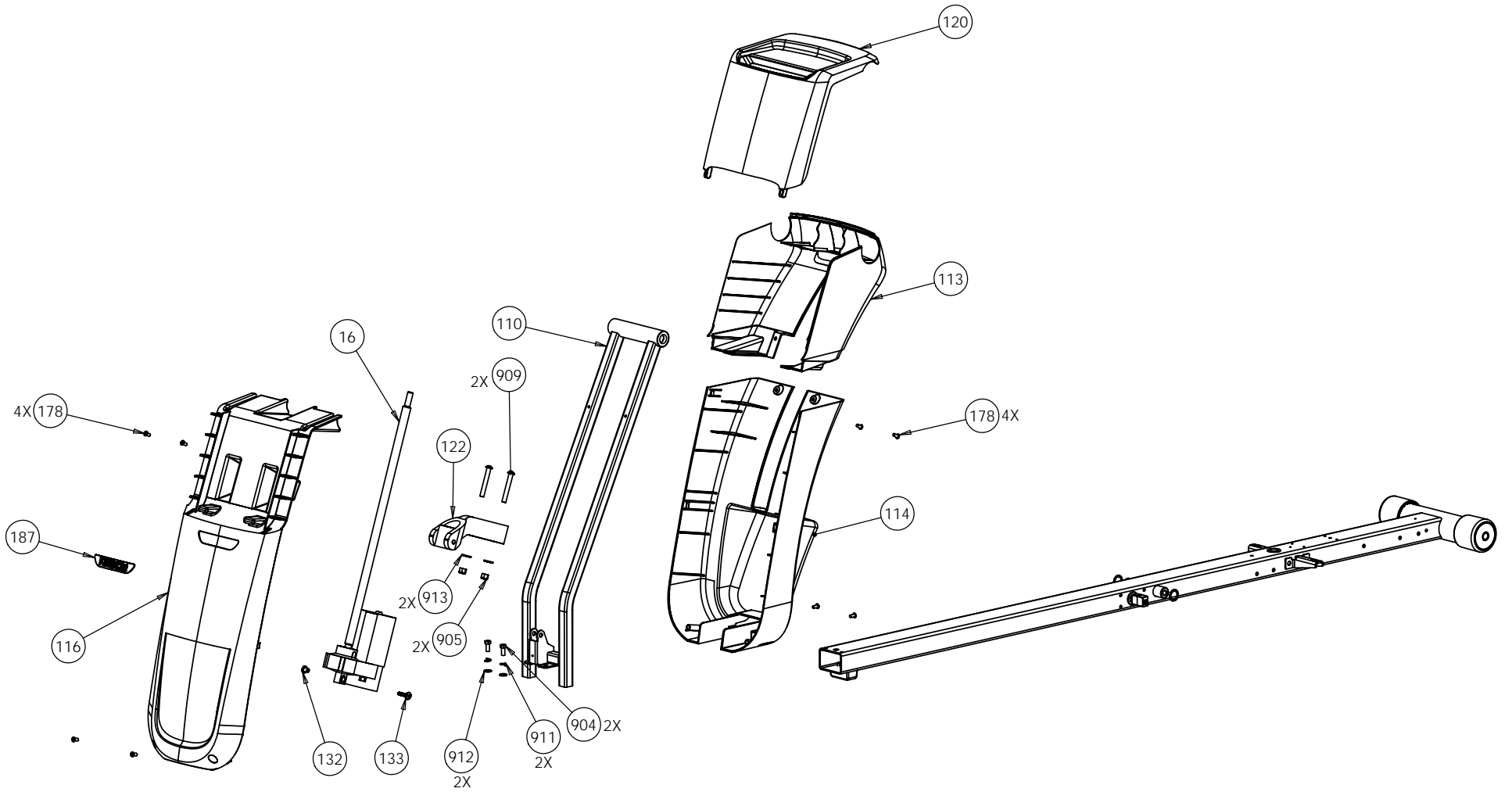












C556i Navy (serial code ATRT)		
Part Number	Description	Bubble Number
PPP00000034103105	WELDMENT, MAIN FRAME, PRIME & PAINT	1
PPP000000048434403	PCA,DISPLAY,CL	4
PPP000000049961101	ASSEMBLY, DISPLAY PANEL/LABELS, 556	6
PPP000000044905096	ASSY,CBL,MOD,8P8C,1-1,96"	7
PPP000000044905042	ASSY,CBL,MOD,8P8C,1-1,42"	8
PPP000000049930101	ASSY, LPCA & SW, LCSPAM EFX, 6-PH,	9
PPP000000035402101	ACTUATOR, LIFT,VERTICAL EFX, W/O NU	16
PPP000000049913403	SW, LOWER, 6 PHASE- DISPLAY-C, V4.0	27
PPP000000011415102	COUPLER,MOD,8P8C,INLINE,SNAP-IN	29
PPP000000049401102	BOARD, CHR & WIRELESS, SALUTRON	32
PPP000000049992101	RAMP, LIFT, PIVOT BRACKET, ALPINE,A	45
PPP000000057044101	ASSY, STAIRARM, C556I NAVY	47
PPP000000034171109	WELDMENT, SIDE TUBE, LEFT, PRIMED &	50
PPP000000034171110	WELDMENT, SIDE TUBE, RIGHT, PRIME &	51
PPP000000034310102	ASSEMBLY, LOWER LINK, BOLT ON, VERT	53
PPP000000047023104	COVER, LINK, FRONT, VERTICAL	55
PPP000000047023105	COVER, LINK, REAR, VERTICAL	56
PPP00000MGTN013075	SCREW,MCH,6-32X3/4,PANHD,PHIL,BLK S	57
PPP000000039833102	ASSEMBLY, CRANK ARM, COMMERCIAL, 10	58
PPP000000048769111	D-PAD, 5 BUTTON, EFX, ICON	59
PPP000000049003401	PCA, SNAPDOME D-PAD	60
PPP000000039825101	ASSEMBLY, DRIVE INPUT SHAFT WITH BE	61
PPP000000010217138	BELT, DRIVE, 360J16 POLY V	62
PPP000000045974101	ASSY,STEP-UP,17:1 DRIVE,EFX	63
PPP000000010217139	BELT, DRIVE, 460J8 POLY V	64
PPP000000048947153	ASSY, PCA & SW, DISPLAY-C, METRICS,	65
PPP000000050595101	KIT,GENERATOR,6 PHASE W/PRESSED ON	65
PPP000000049805101	D-PAD PCA LOCK CLIP	66
PPP000000048602009	ASSY,CABLE,6C,.1 CTR,1-1,GOLD,9"	67
PPP000000048714101	ACCESS PANEL, HEADPHONE JACK	68
PPP000000039769102	ASSEMBLY, RESISTOR W/MINI-FIT CABLE	69
PPP000000049778101	FOAM, ANTI-STATIC 1" X 1" X .5" THI	70
PPP000000048707101	BACK PANEL, DISPLAY-C, W/O USB	71
PPP000000048713101	TOP, DISPLAY-C, BLANK	72
PPP000000011095109	ENDCAP,HEYCO (2633DOM)	73

PPP00000CATN025075	SCREW,SKHD,1/4-20 X 3/4,BLK SHARPER	74
PPP000000035407101	ASSEMBLY, DRIVE WELDMENT, VERTICAL	75
PPP00000MGCN016075	SCREW,MCH,8-32X3/4,PANHD,PHIL,	76
PPP000000012103101	CLAMP,CABLE,VINYL COATED	77
PPP000000012515101	CLAMP, CABLE, BLACK, RELEASABLE ON	78
PPP000000034221104	ASSEMBLY, DRIVE COVER, FRONT,VERTIC	79
PPP000000034222103	ASSEMBLY, DRIVE COVER, SIDE, LEFT,V	80
PPP000000034222104	ASSEMBLY, DRIVE COVER, SIDE, RIGHT,	81
PPP000000034313101	SLEEVE, RAMP PIVOT	82
PPP000000034223102	ASSEMBLY, DRIVE COVER, TOP,VERTICAL	83
PPP000000010136103	CLIP,U TYPE, TINNEMAN, 1/4-20	84
PPP000000035456101	ASSEMBLY, BOTTOM DRIVE COVER, VERTI	85
PPP000000045334010	ASSY,CBL,18AWG,FLAG QC CONN,10"	86
PPP000000047840035	CBL, 2C,16 AWG, MINI-FIT PLUG/250 X	87
PPP000000031074103	FOOT, FIXED, SP TREAD	88
PPP000000048174102	LABEL, WIRING DIAGRAM, EFX, SELF-PO	89
PPP00000ABHN017001	RING, RETAINER, EXTERNAL	90
PPP00000CAGE050200	SCREW,SKHD,1/2-13X2.00,BLK OXIDE	91
PPP000000011075110	FUSE,6.30A,250VAC,SLOW,RADIAL	92
PPP000000010136103	CLIP,U TYPE, TINNEMAN, 1/4-20	93
PPP000000034204101	BADGE, REAR COVER, EFX, ALPINE	94
PPP000000035733101	BADGE, PRECOR, 9.3X-07/5.2X-07	95
PPP000000034184102	COVER, DRIVE, ACCESS PANEL, VERTICA	96
PPP000000034207101	ANCHOR, ACCESS PANEL	97
PPP00000PMTN016050	SCREW,TCS,#8X1/2,PHIL,BLK SHARPERIZ	98
PPP00000HCCN031075	SCREW, HEX HD, GRADE 5, 5/16-18 X .	99
PPP00000TFTN025075	SCREW,BTHD,1/4-20X3/4,BLK SHARPERIZ	100
PPP00000WAGNN062001	WASHER, WAVE, .87 OD X .62 ID	101
PPP00000WAGSN072001	WASHER, WAVE .1.05 O.D., .755	102
PPP00000WBCN031007	WASHER,FLT,5/16X.688X.065, ZN	103
PPP000000045205078	ASSY,CBL,18AWG,6P5C,MINI-FIT,78"	105
PPP000000045742101	WHEEL,846/842	106
PPP00000PKCN019075	SCREW,S/T,#10X.75,WSHHXHD,ZN	107
PPP00000RATN038050	SCREW,SHLD,3/8 X 1/2 ,HEXSC,BLK SH	108
PPP000000034111101	WELDMENT, LIFT SUPPORT, MOVING ARMS	110
PPP00000CBGE050100	SCREW,SKHD,1/2-20X1.00L,BLK OXIDE	111
PPP000000039844102	CAP, HANDGRIP, STONE GREY	112

PPP00000034185102	COVER, LIFT, TOP, VERTICAL	113
PPP00000034186102	COVER, LIFT, BACK, VERTICAL	114
PPP00000048712102	BOOK SUPPORT, DISPLAY-C, MAKROBLEND	115
PPP00000034219104	ASSEMBLY, LIFT COVER, FRONT, VERTIC	116
PPP00000039845201	FRONT, HANDGRIP, OVERMOLDED, STONE	117
PPP00000039846201	BACK, HANDGRIP, OVERMOLDED, STONE G	118
PPP000000CCNN016113	SCREW,SKHD,8-32X1.125L,SS	119
PPP00000034188102	MAG RACK, LIFT COVER, VERTICAL	120
PPP00000044966102	PLATE,CHARGER CONNECTOR,SP, EFX	121
PPP000000057043101	YOKE REPLACEMENT KIT, C532I, C556I	122
PPP000000048486102	RIVET,PLASTIC, CHRISTMAS TREE, .50	123
PPP000000MGKN013025	SCREW,MCH,6-32X1/4,PANHD,PHIL,	124
PPP000000035412102	BRACKET, BATTERY	125
PPP000000HCCN031125	SCREW,HEX,GR 5,5/16-18X1.25,ZN	126
PPP000000044472103	PLATE, STUD, COMM, EFX RX	127
PPP000000045910102	TAB, BATTERY BRACKET, SELF-POWERED	128
PPP000000KGCN025020	LOCKNUT,STARWASHER,1/4-20,ZN	129
PPP000000MHTN019038	SCREW,MCH,10-32X3/8,PANHD,PHIL,BLK	130
PPP000000012258070	BATTERY,SLA,12V,7AH,.187 TABS	131
PPP000000FAGN025028	NUT, CONNECTOR, JOINT	132
PPP000000FBGN025091	BOLT, CONNECTOR, JOINT, 29/32 LONG	133
PPP000000049364101	ASSY, WATER BOTTLE HOLDER	134
PPP000000048708101	REAR COVER, DISPLAY-C, W/O HANDLEBA	135
PPP000000MGCN016100	MACHINE SCREW, 8-32 X 1, PAN HEAD	136
PPP000000034209107	COVER, WEDGE, BOLT ON OR NO LINKS,	137
PPP000000WNNN081003	WASHER,FLT,1.188-1.0X.027,STL	138
PPP000000012647101	PALNUT, SELF THREADING NUT, REG. TY	142
PPP000000034206103	RETAINER, STAIR ARM, BLACK	143
PPP000000039750104	FOOT PEDAL, VERTICAL EFX	145
PPP000000039874101	DOUBLE ADHESIVE FOAM TAPE 1" X 4"X1	146
PPP000000048337101	ASSY, STAIRARM WHEEL, CONSUMER EFX,	147
PPP000000CEGN006014	SCREW, SKHD, M6 X 14, BLK OXIDE	150
PPP000000048602005	ASSY,CABLE,6C,.1 CTR,1-1,GOLD,5"	156
PPP000000012262102	WIRE CLIP,FOAM TAPE BACK	157
PPP000000049717016	ASSY, CABLE, HHR TO DISPLAY, 16"	158
PPP000000049744102	OSUPPORT, PLASTIC HR ADAPTER	159
PPP000000KGCN038033	LOCKNUT, STARWASHER, 3/8-16	162

PPP00000035420101	WELDMENT, DISPLAY SUPPORT, PRIME &	163
PPP00000010115113	O-RING, ROUND, 1.25ID X .139	165
PPP000000042713102	HHHR SENSOR, TOP	166
PPP000000042714102	HHHR SENSOR, BOTTOM	167
PPP000000042730101	PLUG, HHR, HANDLE BAR END	168
PPP000000047342035	ASSY, CABLE, HHR PCA TO GRIP, W/SH	169
PPP00000TCNN016075	SCREW, BTHD, 8-32X.75, SS	170
PPP000000049917105	COVER, DISPLAY BRACKET, TOP, VERTIC	173
PPP000000049917106	COVER, DISPLAY BRACKET, BOTTOM, VER	174
PPP00000TFTN025075	SCREW, BTHD, 1/4-20X3/4, BLK SHARPERIZ	178
PPP000000010178107	BUSHING, SNAP	181
PPP000000034205101	BADGE, LIFT COVER, PRECOR, ALPINE	187
PPP00000WCCN031008	WASHER, FLT, 5/16X.875X.083	279
PPP0000WBANN034013	WASHER, FLAT, ID=11/32, OD3/4, TH=.125,	310
PPP00000CAMN038200	SCREW, SKHD, 3/8-16X2, ZN (MECH PLATIN	318
PPP00000KDCN038034	LOCKNUT, FULL, 3/8-16, BLK ZN	336
PPP000000011278101	CABLE CLAMP, INSERT	351
PPP00000HCCN031075	SCREW, HEX HD, GRADE 5, 5/16-18 X .	353
PPP000000037385101	BRACKET, TENSIONER	355
PPP000000037855103	TAB, LOCKING	356
PPP00000HACN025250	SCREW, 1/4-20X2-1/2, HEX, GR 2, ZN	357
PPP00000KGCN031027	LOCKNUT, STARWASHER, 5/16-18, 1/2	358
PPP00000PKCN019050	SCREW, S/T, #10X1/2, WSHHXHD, ZN	359
PPP00000WRCN038011	WASHER, GRADE 8, 3/8, 13/32 ID, 13/16OD	362
PPP00000PMTN016050	SCREW, TCS, #8X1/2, PHIL, BLK SHARPERIZ	461
PPP000000012103101	CLAMP, CABLE, VINYL COATED	462
PPP00000KNCN019013	NUT, HEX, 10-32, ZINC	464
PPP000000048133015	ASSY, CBL, 2C, HIGH TEMP, 16AWG, #10 RIN	465
PPP000000011406103	FOOT, LEVELER, RUBBER BASE, 1.5"LG	901
PPP00000HCCN031075	SCREW, HEX HD, GRADE 5, 5/16-18 X .	904
PPP00000KDCN038034	LOCKNUT, FULL, 3/8-16, BLK ZN	905
PPP00000MGCN016075	SCREW, MCH, 8-32X3/4, PANHD, PHIL,	906
PPP00000KPCN031019	NUT, HEX THIN, 5/16-18, ZN	907
PPP00000MNCN025038	SCREW, MCH, 1/4-20X3/8, FLTHD, PHIL	908
PPP00000TCNN038275	SCREW, BTHD, 3/8-16X 2.75, SS	909
PPP00000TFTN025075	SCREW, BTHD, 1/4-20X3/4, BLK SHARPERIZ	910
PPP00000WALCN031008	WASHER, 5/16 SPLIT LOCK, ZINC	911

PPP00000WBCN031007	WASHER,FLT,5/16X.688X.065, ZN	912
PPP00000WPNN038006	WASHER, FLAT, 3/8 X 1/16 THK,	913
PPP00000FAGN025028	NUT, CONNECTOR, JOINT	914
PPP00000FBGN025138	BOLT, CONNECTOR, JOINT	915
PPP00000WATCHN041002	WASHER, LK-INT, ID= .406,	916
PPP000000049944101	LITERATURE KIT, EFX556INAVY, EN	999